

# GP Batteries

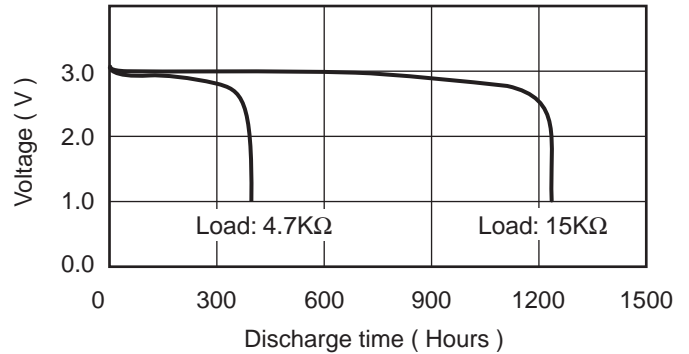
## Data Sheet

Model No.: CR2032

Description : Flat Lithium Battery  
 Chemical system : Lithium Manganese Dioxide  
 Nominal voltage : 3 Volts  
 Nominal capacity : 210mAh  
 Dimensions :  $\phi 20.0 \times 3.2\text{mm}$   
 Shelf life : 5 years at room temperature  
 Average weight : 3.0 grams  
 Applications : Computer memory back up,  
 photo

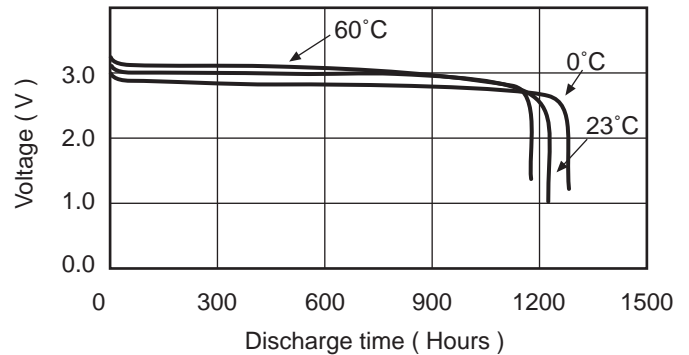
### Discharge characteristics on Load

At 23°C



### Discharge characteristics on temperature

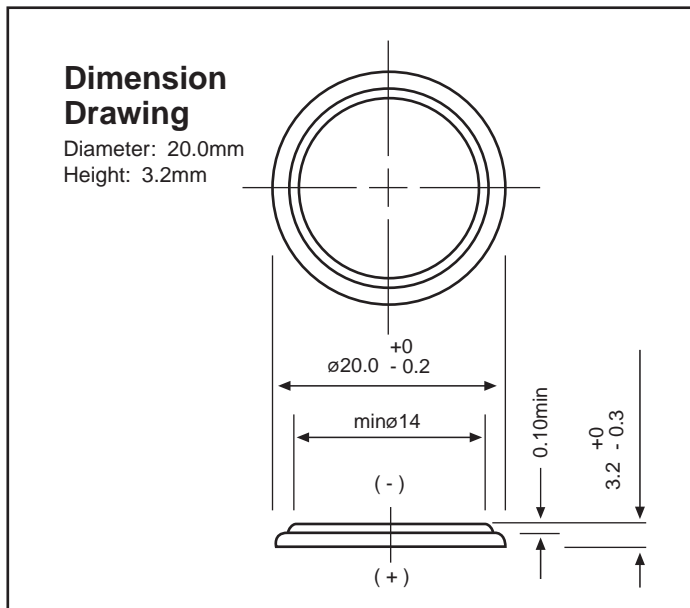
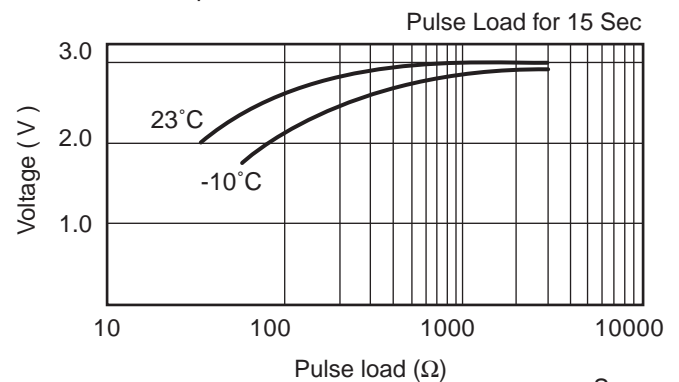
Load: 15kΩ



### Discharge characteristics on pulse load

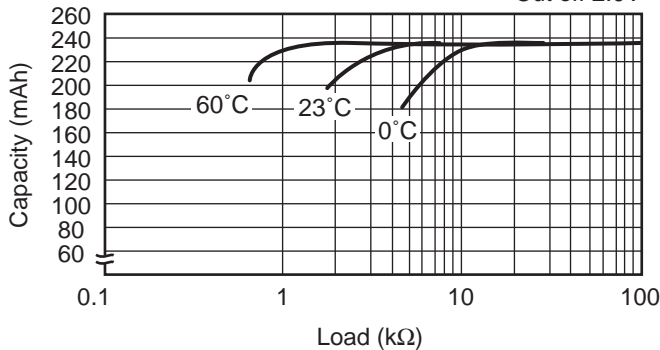
(Discharge depth 40%)

Excellent low-impedance characteristics



### Discharge load vs Discharge capacity

Cut off 2.0V



### Cross Reference:

IEC	JIS	Eveready	Varta	Duracell
CR2032	CR2032	ECR2032	CR2032	DL2032

